



SunPower® E-Series Commercial Solar Panels | E20-327-COM

More than 20% Efficiency

Captures more sunlight and generates more power than conventional panels.

High Performance

Delivers excellent performance in real-world conditions, such as high temperatures, clouds and low light.¹

Commercial Grade

Optimized to maximize returns and energy production, the E-Series panel is a bankable solution for commercial solar applications.



Maxeon® Solar Cells: Fundamentally better
Engineered for performance, designed for reliability.

Engineered for Peace of Mind

Designed to deliver consistent, trouble-free energy over a very long lifetime.²

Designed for Reliability

The SunPower Maxeon solar cell is the only cell built on a solid metal foundation. Virtually impervious to the corrosion and cracking that degrade conventional panels.

#1 Rank in Fraunhofer durability test.³

High Performance & Excellent Reliability

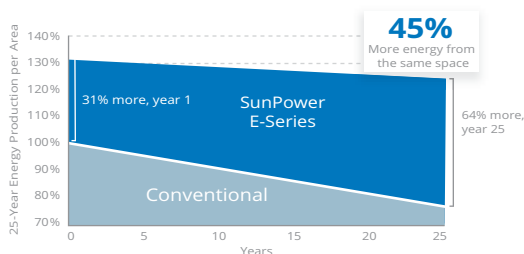


SPR-E20-327-COM

High Efficiency

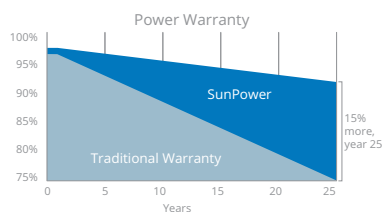
Generate more energy per square foot

More energy to power your operations. E-Series residential systems convert more sunlight to electricity by producing 31% more energy in the first year. This advantage increases over time, producing 45% more energy over the first 25 years to meet your needs.¹

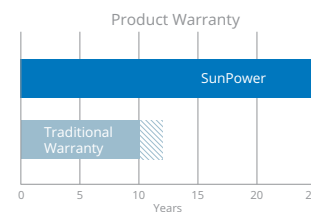


Best Reliability, Best Warranty

A better warranty starts with a better product. Proven performance backs up our industry-best coverage, including out warranted 0.25% per year degradation rate.⁴



More guaranteed power: 98% for first year, -0.25%/yr. to year 25

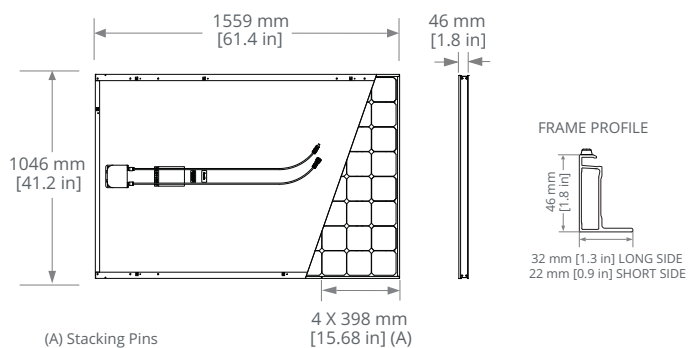


Combined Power and Product defect 25-year coverage

SunPower® E-Series Commercial Solar Panels | E20-327-COM

Electrical Data		
	SPR-E20-327-COM	SPR-E19-310-COM
Nominal Power (P _{nom}) ⁵	327 W	310 W
Power Tolerance	+5/-3%	+5/-3%
Avg. Panel Efficiency ⁶	21.4%	19.3%
Rated Voltage (V _{mpp})	54.7 V	54.7 V
Rated Current (I _{mpp})	5.98 A	5.67 A
Open-Circuit Voltage (V _{oc})	64.9 V	64.4 V
Short-Circuit Current (I _{sc})	6.46 A	6.05 A
Max. System Voltage	1000 V UL & 1000 V IEC	
Maximum Series Fuse	15 A	
Power Temp Coef.	-0.35% / ° C	
Voltage Temp Coef.	-176.6 mV / ° C	
Current Temp Coef.	2.6 mA / ° C	

Operating Condition And Mechanical Data	
Temperature	-40° F to +185° F (-40° C to +85° C)
Impact Resistance	1 inch (25 mm) diameter hail at 52 mph (23 m/s)
Appearance	Class B
Solar Cells	96 Monocrystalline Maxeon Gen II
Tempered Glass	High-transmission tempered anti-reflective
Junction Box	IP-65, MC4 compatible
Weight	41 lbs (18.6 kg)
Max. Load	Wind: 50 psf, 2400 Pa front & back Snow: 112 psf, 5400 Pa front
Frame	Class 2 silver anodized; stacking pins



Please read the safety and installation guide.

Tests And Certifications	
Standard Tests ⁷	UL1703 (Type 2 Fire Rating), IEC 61215, IEC 61730
Management System Certs	ISO 9001:2015, ISO 14001:2015
EHS Compliance	RoHS, OHSAS 18001:2007, lead free, REACH SVHC-163, PV Cycle
Sustainability	Cradle to Cradle Certified™ Silver (contributes to LEED categories) ⁸
Ammonia Test	IEC 62716
Desert Test	10.1109/PVSC.2013.6744437
Salt Spray Test	IEC 61701 (maximum severity)
PID Test	1000V: IEC62804, PVEL 600hr duration
Available Listings	UL, TUV, MCS, CSA, FSEC

REFERENCES:

- 1 SunPower 327W compared to a Conventional Panel on same sized arrays (260W, 16% efficient, approx. 1.6 m²), 3% more energy per watt (based on 3pty module characterization and PVSim), 0.75%/yr slower degradation (Campeau, Z. et al. "SunPower Module Degradation Rate," SunPower white paper, 2013).
- 2 "SunPower Module 40-Year Useful Life" SunPower white paper, May 2015. Useful life is 99 out of 100 panels operating at more than 70% of rated power.
- 3 5 of top 8 panel manufacturers tested in 2013 report, 3 additional panels in 2014. Ferrara, C., et al. "Fraunhofer PV Durability Initiative for Solar Modules: Part 2". Photovoltaics International, 2014.
- 4 See us.sunpower.com/home-solar-system-warranty/ for more details.
- 5 Standard Test Conditions (1000 W/m² irradiance, AM 1.5, 25° C). NREL calibration Standard: SOMS current, LACCS FF and Voltage.
- 6 Based on average of measured power values during production.
- 7 Type 2 fire rating per UL1703:2013, Class C fire rating per UL1703:2002.
- 8 See salesperson for details.